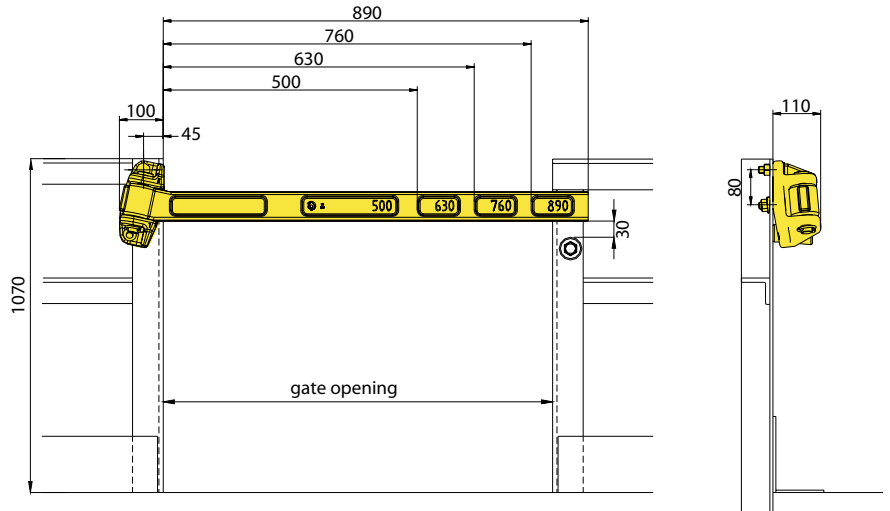


PRODUCT DATA



Available sizes

single rail	double rail	gate opening
SG500 UNI	DG500 UNI	300-560
SG630 UNI	DG630 UNI	561-685
SG760 UNI	DG760 UNI	686-810
SG890 UNI	DG890 UNI	811-940

This table can be used for angle handrail systems. For pipe handrail, an additional length may be required based upon the method the gate is attached.

Single rail

type	ERIKS art. n°
SG500 UNI	11365075
SG630 UNI	11365076
SG760 UNI	11365077
SG890 UNI	11365078

Double rail

type	ERIKS art. n°
DG500 UNI	11373893
DG630 UNI	11373894
DG760 UNI	11373895
DG890 UNI	11373896

Terms of delivery:

Stock items if not sold

Installation Instruction may be changed without prior notice. This literature and the information it contains are based on data reasonably believed to be reliable. However, such factors as variations in environment, application or installation, changes in operating procedures, or extrapolation of data may cause different results. ERIKS makes no representation or warranty, expressed or implied, including warranties of merchantability or fitness of purpose, as to the accuracy, adequacy or completeness of the recommendations or information contained herein. ERIKS assumes no liability whatsoever in connection with this literature or the information or recommendations it contains.

For more information, prices or ordering conditions, please contact directly one of our specialists on tel. number: 03 829 27 50

INSTALLATION INSTRUCTIONS



The ERIKS safety gate is delivered according to your specification fully pre-assembled.

Drilling:

The only thing to do is drilling 3 holes according to drawing on the verso of this Installation Instruction.

Universal hinge:

Whenever a wrong swing direction is ordered, it can easily be changed by withdrawing the hinge-pin and putting the hinge block upside down. See the printed photos hereunder.

Mounting hinge:

1. Locate and drill 2 holes $\varnothing 18$ mm for the hinge bolts, see drawing on the verso.
2. Mount hinge and tighten nuts till bolts heads are flush + 1/2 turn.

Mounting support block:

1. Locate and drill 1 hole $\varnothing 18$ mm. for the block bolt, see drawing on the verso.
2. Mount support block and tighten till bolt head is flush + 1/2 turn.

Remember you must make sure:

1. Blade extends enough to make contact with opposite side handrail post, overlap 50 mm.
2. Support block is mounted below the top rail of gate to prevent vertical deflection. It should not interfere with the gate or keep it from swinging closed.
3. Double bar gates is no more than 1070 mm. above the platform surface to avoid too large of an opening below the gate.

Mounting to pipe handrail:

Intergate welded fixing plate during design of handrail or use adaptor set. Adaptor set available; see relevant document.

Locking for wind-force:

The ERIKS safety gate can easily be secured against jamming from wind-force with a simple Velcro® locking device. Locking device available; see relevant document.

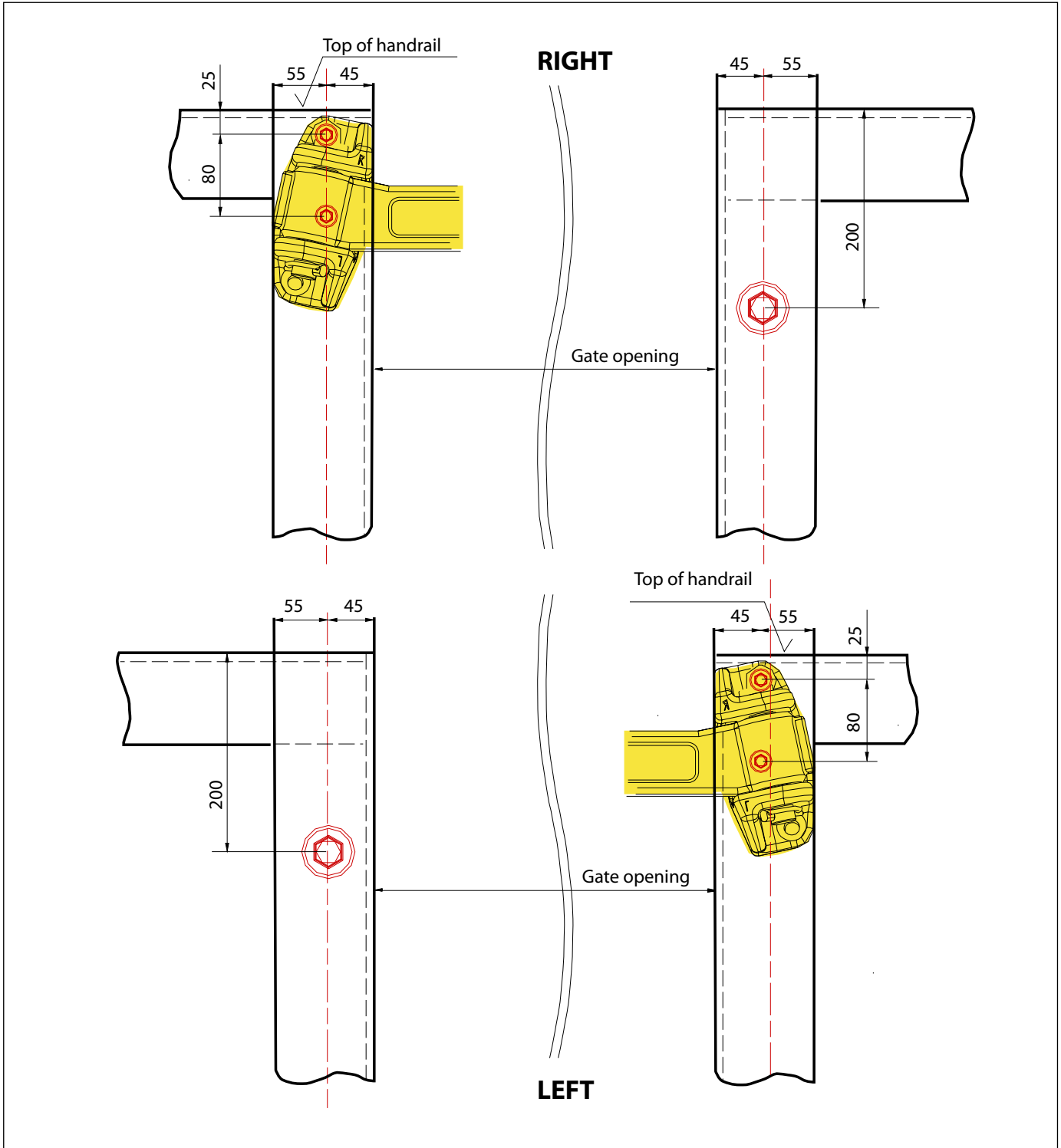


Installation Instruction may be changed without prior notice. This literature and the information it contains are based on data reasonably believed to be reliable. However, such factors as variations in environment, application or installation, changes in operating procedures, or extrapolation of data may cause different results. ERIKS makes no representation or warranty, expressed or implied, including warranties of merchantability or fitness of purpose, as to the accuracy, adequacy or completeness of the recommendations or information contained herein. ERIKS assumes no liability whatsoever in connection with this literature or the information or recommendations it contains.

For more information, prices or ordering conditions, please contact directly one of our specialists on tel. number: 03 829 27 50

ERIKS nv • Boombekelaan 3 • 2660 Hoboken • tel. (03) 829 26 11 • fax (03) 828 39 59 • www.eriks.be

INSTALLATION INSTRUCTIONS



Installation Instruction may be changed without prior notice. This literature and the information it contains are based on data reasonably believed to be reliable. However, such factors as variations in environment, application or installation, changes in operating procedures, or extrapolation of data may cause different results. ERIKS makes no representation or warranty, expressed or implied, including warranties of merchantability or fitness of purpose, as to the accuracy, adequacy or completeness of the recommendations or information contained herein. ERIKS assumes no liability whatsoever in connection with this literature or the information or recommendations it contains.

For more information, prices or ordering conditions, please contact directly one of our specialists on tel. number: 03 829 27 50

PRODUCT DATASHEET ERIKS SAFETY GATE



type	: ERIKS safety gate
material	: moulded flame retardant thermoset polyurethane
load bearing capacity	: EN 14.122-3&4
flame retardancy	: VO UL94 (3 mm. thick)
toxicity in fire	: LC13 (good) LC50 test method
operating temperature	: -40°C to +70°C

Standard sizes:

type	gate opening
SG 500 UNI	300-560
SG 630 UNI	561-685
SG 760 UNI	686-810
SG 890 UNI	811-940
DG 500 UNI	300-560
DG 630 UNI	561-685
DG 760 UNI	686-810
DG 890 UNI	811-940

Material specifications:

Color	: Yellow, RAL 1004
Density	: 1.3
Hardness	: 85 shore D ISO 868
Fluxural strength	: 70 Mpa ASTM D790
Fluxural modules	: 2600 MPa ASTM D790
Izod impact strength	: 4 kJ/m2 BS 2782 method 350
Heath distortion temp.	: 90°C BS 2782 method 121 A/B
Tolerances	: dimensions : ± 1 mm. warping : < 1% weight : ± 5% color deviation : close to specified RAL number

Others:

- not electric conductive
- low thermal conductivity
- voids etc. according to our standards
- universal L/R hinge
- good weather and UV resi 6. good chemical resistancy

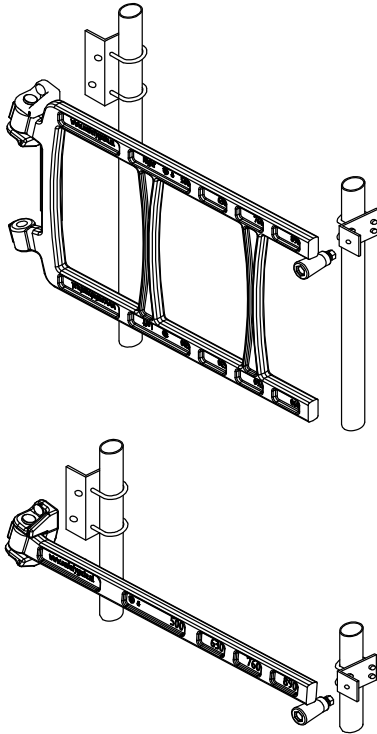
Hardware:

surface treatment	: hot-dip galvanized ISO 1461
plate	: DIN 436
wedge plate	: DIN 435
bolts	: 4.6 DIN604
nuts	: 8 DIN 934
lock-pin	: fosfated

Installation Instruction may be changed without prior notice. This literature and the information it contains are based on data reasonably believed to be reliable. However, such factors as variations in environment, application or installation, changes in operating procedures, or extrapolation of data may cause different results. ERIKS makes no representation or warranty, expressed or implied, including warranties of merchantability or fitness of purpose, as to the accuracy, adequacy or completeness of the recommendations or information contained herein. ERIKS assumes no liability whatsoever in connection with this literature or the information or recommendations it contains.

For more information, prices or ordering conditions, please contact directly one of our specialists on tel. number: 03 829 27 50

PRODUCT DATASHEET ERIKS SAFETY GATE - ADAPTOR SET



Application:

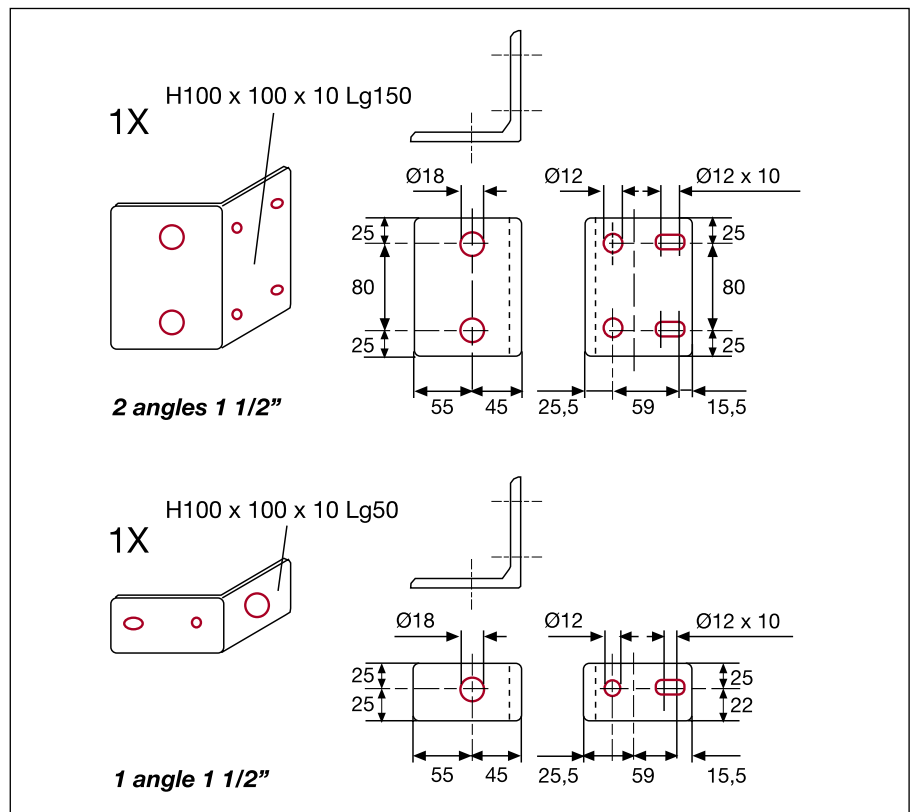
The ERIKS safety gate can directly be mounted on a post made of square tubing, channels or angle profile. For mounting the ERIKS safety Gate onto round tubing you will need some adaptors as you can see onto the enclosed sketch.

ERIKS has this adaptor-set available for 1-1/4" and 1-1/2" round pipe, resp. 42,3 mm and 48,3 mm. The adaptor-set exists out of two galvanized angles and 3 U-bolts with fastening materials. The angles can be mounted on the different posts with the U-bolts. We advice to mount the galvanized angles at the outer sides of the handrail posts as drawn on the sketch. This way the angles are out of the walk through, so it can not create a dangerous situation.

After the adaptor-set has been mounted onto the posts, the safety gate and the support block can be mounted onto the angles. The adaptor-set provides a stable and rigid construction so that the safety gate also can be mounted onto round hand railing, in a site adjusting situation.

In situations where the hand railing still has to be manufactured, it is easier to weld plates onto the round posts.

It might be necessary to order additional length, because the angles are farther away from each other. Most times this only means ordering the next larger size.



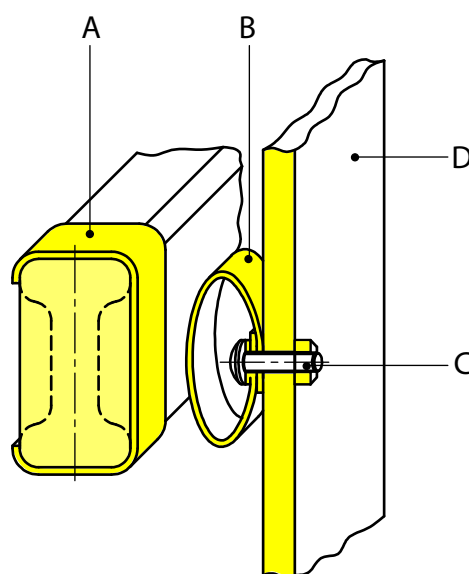
Installation Instruction may be changed without prior notice. This literature and the information it contains are based on data reasonably believed to be reliable. However, such factors as variations in environment, application or installation, changes in operating procedures, or extrapolation of data may cause different results. ERIKS makes no representation or warranty, expressed or implied, including warranties of merchantability or fitness of purpose, as to the accuracy, adequacy or completeness of the recommendations or information contained herein. ERIKS assumes no liability whatsoever in connection with this literature or the information or recommendations it contains.

For more information, prices or ordering conditions, please contact directly one of our specialists on tel. number: 03 829 27 50

PRODUCT DATASHEET ERIKS SAFETY GATE - WIND LOCKING DEVICE



type	: ERIKS wind locking device
material	: VELCRO® polyester barbed-tape
operating temperature	: -60 °C to +150 °C
color	: black
bolting	: hot-dip galvanized 8.8 DIN 604/934

Application:

- A. Self-bonding "lasso" Velcro barbed tape 25 x 2,2
- B. Loop Velcro barbed tape 20 x 2,0
- C. Bolt, nuts and washers M16x25
- D. Structural steel

Others:

- Good weather and UV resistance.
- Good chemical resistance.

Installation Instruction may be changed without prior notice. This literature and the information it contains are based on data reasonably believed to be reliable. However, such factors as variations in environment, application or installation, changes in operating procedures, or extrapolation of data may cause different results. ERIKS makes no representation or warranty, expressed or implied, including warranties of merchantability or fitness of purpose, as to the accuracy, adequacy or completeness of the recommendations or information contained herein. ERIKS assumes no liability whatsoever in connection with this literature or the information or recommendations it contains.

For more information, prices or ordering conditions, please contact directly one of our specialists on tel. number: 03 829 27 50